



APPLICATION

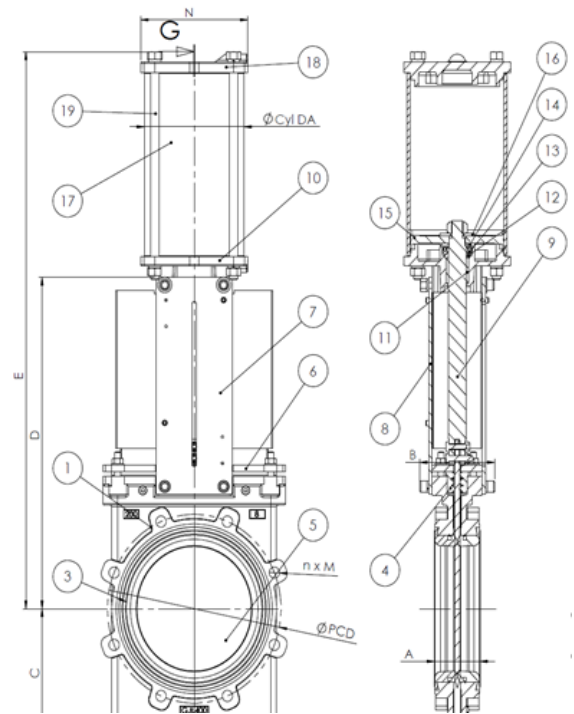
General use : water and waste water, powder and particles, pneumatic transport. /
Usage général : eau, traitement d'eau, eaux usées,
produits chimiques poudreux et cristallisants, cimenterie, transport pneumatique, stockage.

CARACTERISTIQUES GENERALES / General Characteristics

One piece body design and standard bidirectional
Removable end cover for easy maintenance and evacuation.
Full lug PN10, option CL150, PN16, PN20
Zero leakage with elastomer seat.
Body : GGG40, WCB, CF8, CF8M, SS316L, matériaux spéciaux sur demande. / Others upon request
Actuators: manual, lever, gear, pneumatic DA or SA, electric, hydraulic.



| | | | |
|----|---------------------|--------------|--------------|
| 19 | Stud | SS304 | SS304 |
| 18 | Cylinder high cover | Aluminium | Aluminium |
| 17 | Cylinder | Aluminium | Aluminium |
| 16 | Piston washer | Steel | Steel |
| 15 | Piston | NBR | NBR |
| 14 | Washer | Steel | Steel |
| 13 | Nut | SS | SS |
| 12 | Gasket | Polyurethane | Polyurethane |
| 11 | Bushing | Nylon | Nylon |
| 10 | Cylinder low cover | Aluminium | Aluminium |
| 9 | Stem | SS304 | SS304 |
| 8 | Frame B | Steel | Steel |
| 7 | Frame A | Steel | Steel |
| 6 | Gland | Steel | CF8M |
| 5 | Gate | SS304 | SS316 |
| 4 | Packing | PTFE | PTFE |
| 3 | Sleeve | EPDM | EPDM |
| 2 | Cover | GGG40 | 316 |
| 1 | Body | GGG40 | CF8M |
| N° | Designation | KG12L10D-22E | KG12L10D-66E |



CONDITIONS DE SERVICE :

| Service Pressure | Seat température |
|------------------|-----------------------|
| DN50-400: 10bar | NBR : -10°C / +90°C |
| DN450-600: 6bar | EPDM : -20°C / +130°C |
| | NR : -40°C / +70°C |
| | FKM : -10°C / +180°C |

| DN (” / mm) | A | B | C | D | E | ØCyl DA | N | ØPCD | N x M |
|-------------|-----|-----|-----|------|------|---------|-----|------|-------|
| 2” / 50 | 54 | 92 | 85 | 240 | 410 | 100 | 115 | STD | STD |
| 3” / 80 | 57 | 92 | 95 | 295 | 500 | 100 | 115 | STD | STD |
| 4” / 100 | 57 | 92 | 125 | 335 | 560 | 125 | 138 | STD | STD |
| 5” / 125 | 64 | 102 | 145 | 370 | 640 | 160 | 175 | STD | STD |
| 6” / 150 | 64 | 102 | 160 | 418 | 716 | 160 | 175 | STD | STD |
| 8” / 200 | 76 | 120 | 170 | 522 | 880 | 200 | 218 | STD | STD |
| 10” / 250 | 76 | 120 | 210 | 625 | 1042 | 250 | 270 | STD | STD |
| 12” / 300 | 83 | 120 | 275 | 725 | 1182 | 250 | 270 | STD | STD |
| 14” / 350 | 83 | 190 | 295 | 845 | 1360 | 250 | 270 | STD | STD |
| 16” / 400 | 95 | 190 | 320 | 945 | 1540 | 250 | 270 | STD | STD |
| 18” / 450 | 95 | 190 | 347 | 1045 | 1725 | 320 | 382 | STD | STD |
| 20” / 500 | 121 | 190 | 375 | 1148 | 1890 | 320 | 382 | STD | STD |
| 24” / 600 | 121 | 290 | 425 | 1360 | 2195 | 320 | 382 | STD | STD |